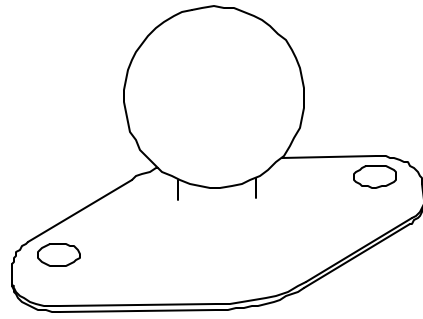
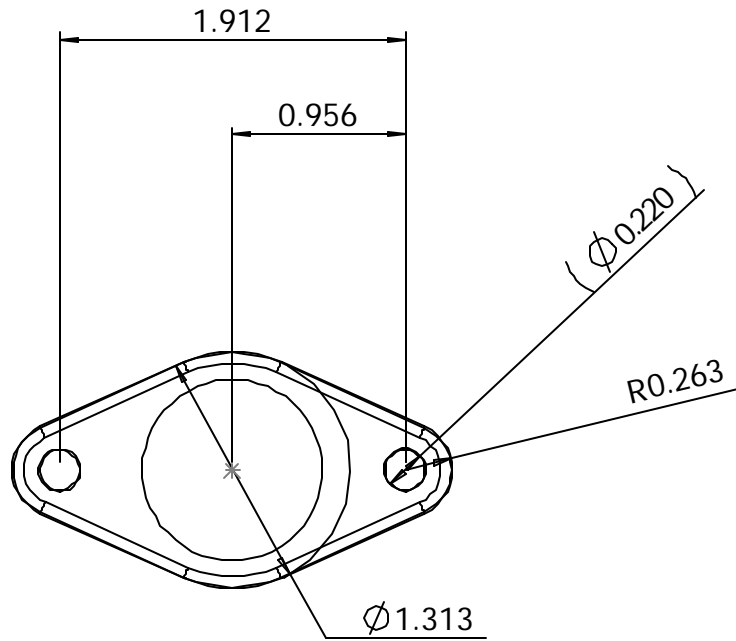
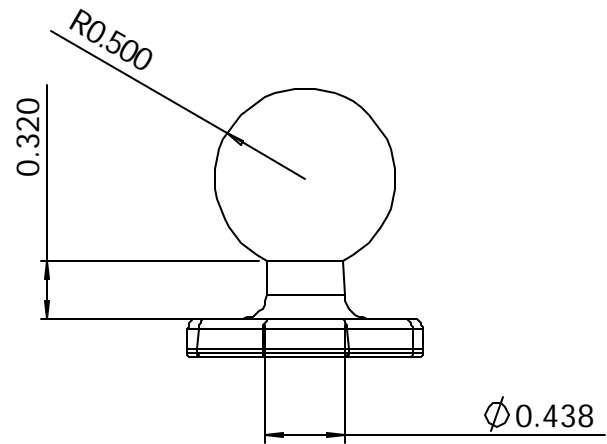
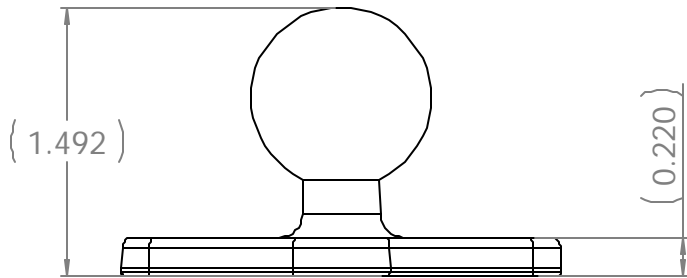


THE INFORMATION CONTAINED IN THIS DRAWING IS THE SOLE PROPERTY OF NATIONAL PRODUCTS INC. ANY REPRODUCTION IN PART OR WHOLE WITHOUT THE WRITTEN PERMISSION OF NATIONAL PRODUCTS INC. IS PROHIBITED.



UNLESS OTHERWISE SPECIFIED DIMENSIONS ARE IN INCHES TOLERANCES ARE:		CAD GENERATED DRAWING. DO NOT MANUALLY UPDATE		NATIONAL PRODUCTS INC. 1017 S. ELMGROVE ST. SEATTLE, WA 98108	
FRACTIONS	DECIMALS	ANGLES	APPROVALS	DATE	RAM DIAMOND BASE WITH 1" DIAMETER RUBBER BALL
+ - 1/32	.XX+ -.06	+ - 1 DEG.	DRAWN	JDC 02/05/99	
.XXX+ -.030			CHECKED	CMR 04/20/01	
			RESP ENG		
MATERIAL	ALUMINUM		MFG ENG		SIZE A
FINISH	BLACK POWDER COAT		QUAL ENG		DWG. NO. RAM-B-238
DO NOT SCALE DRAWING					SCALE
					CAD FILE: RAMB238
					SHEET 1 OF 1